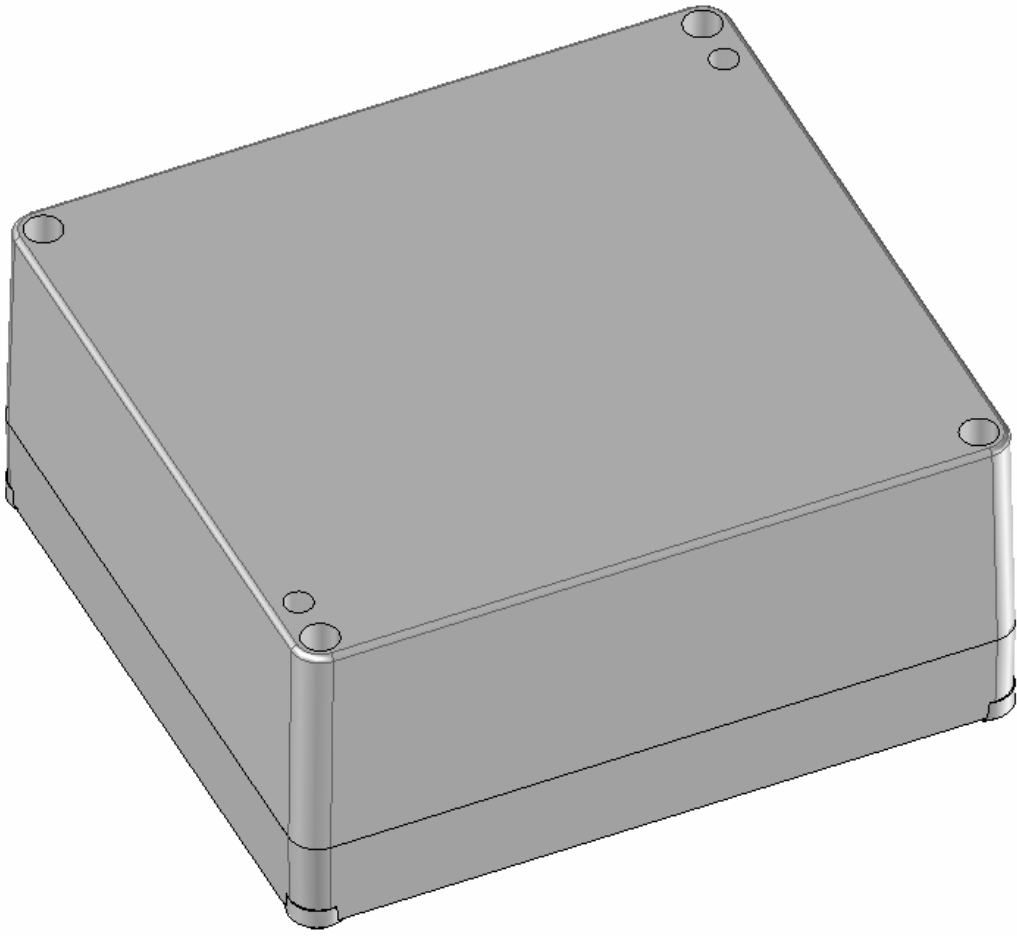
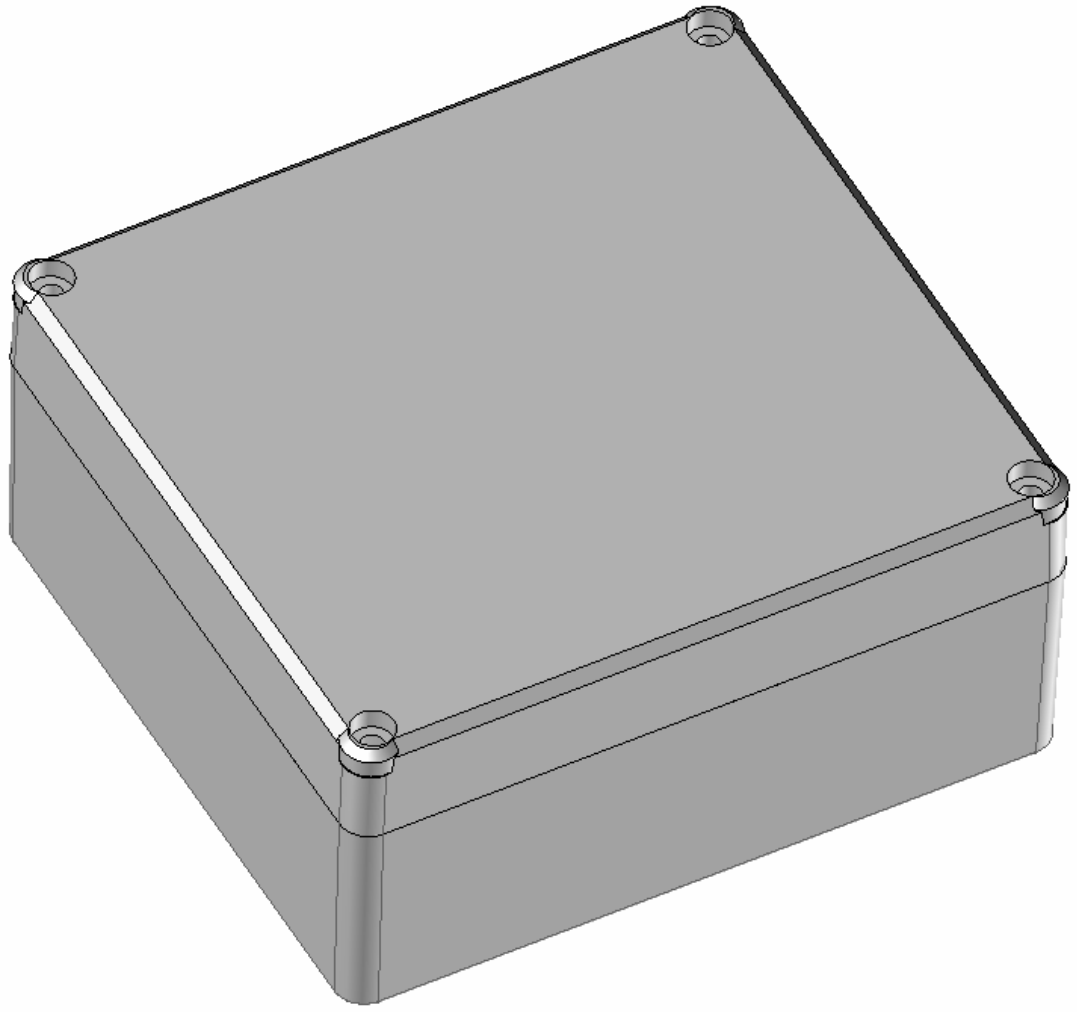
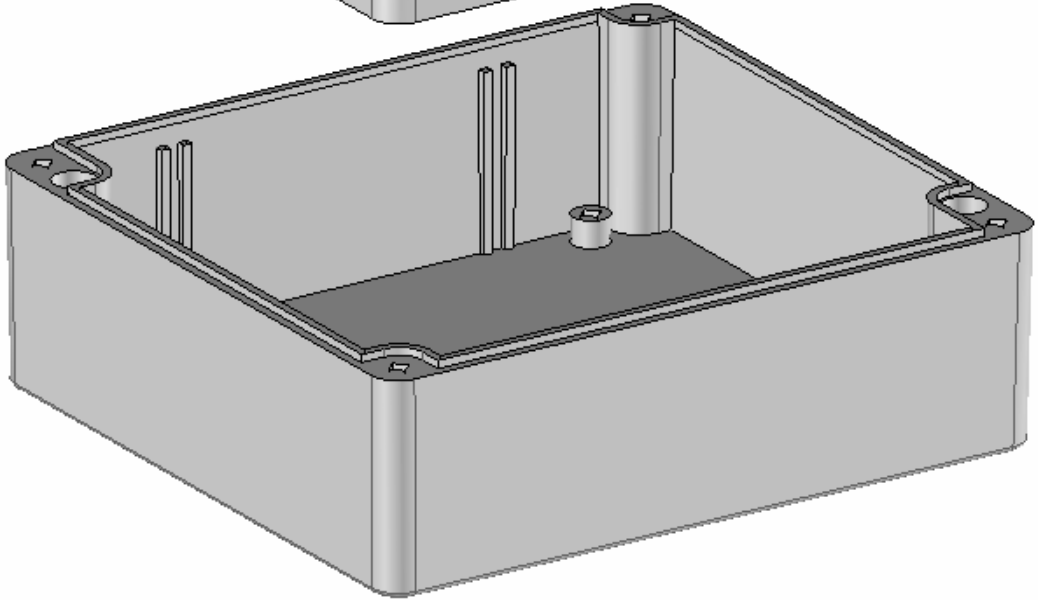
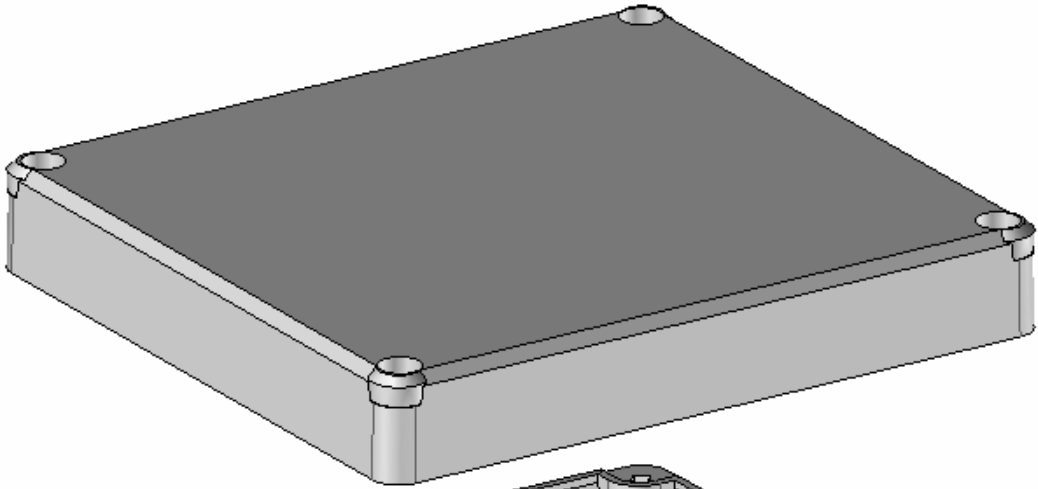
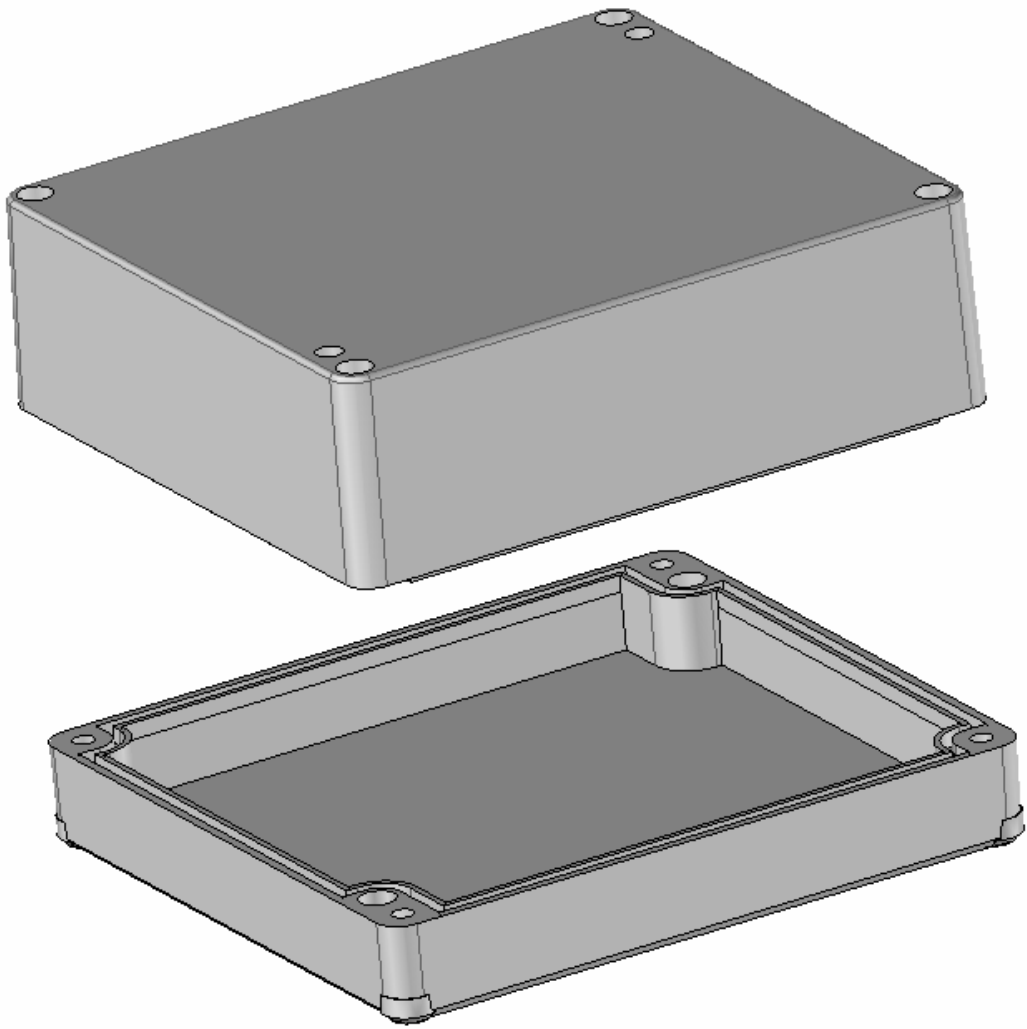


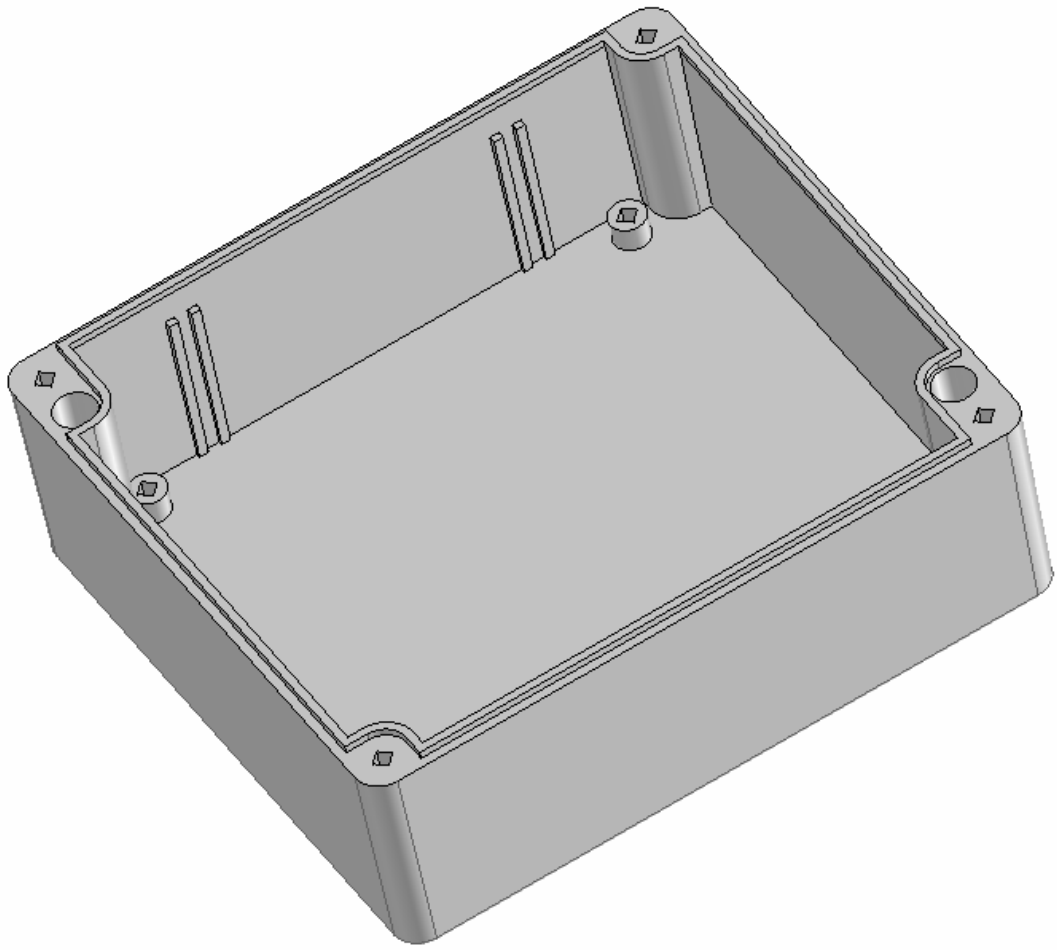
Model produktu	<b>Z-59</b>	
Format:	<b>A4</b>	Materiál: Polystyrene (PS)
Skála:	<b>1:1</b>	Tolerancia: +/- 0.1

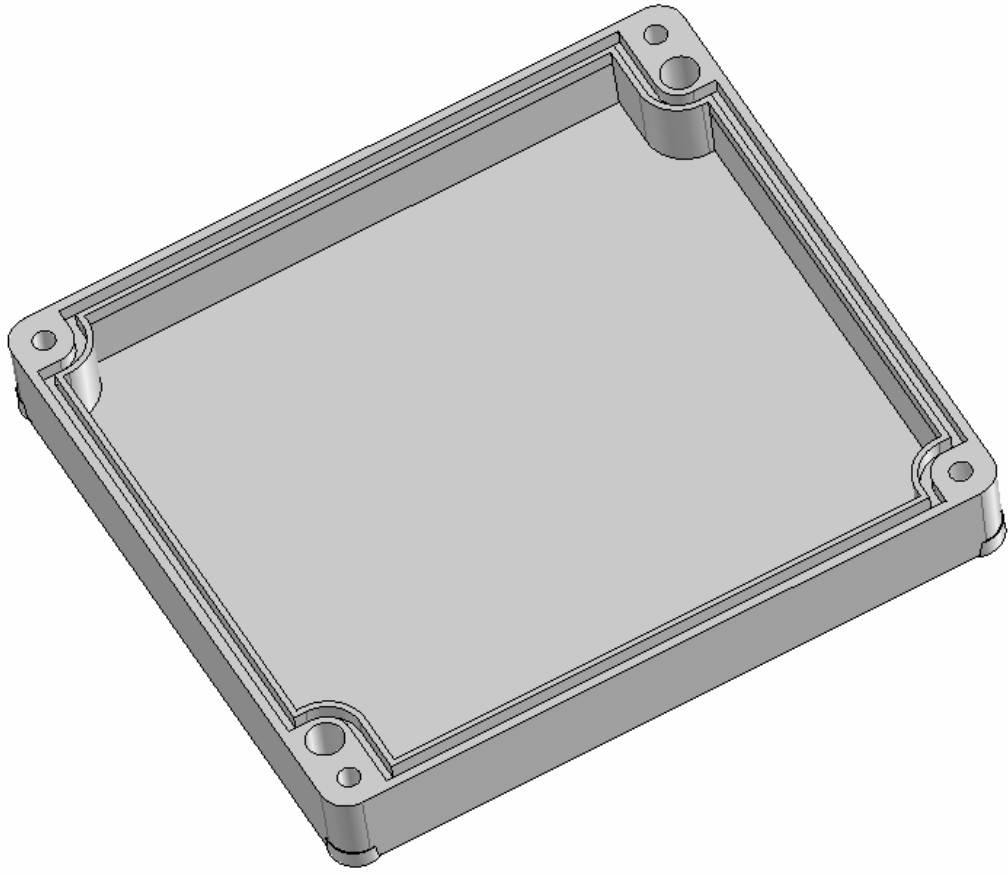




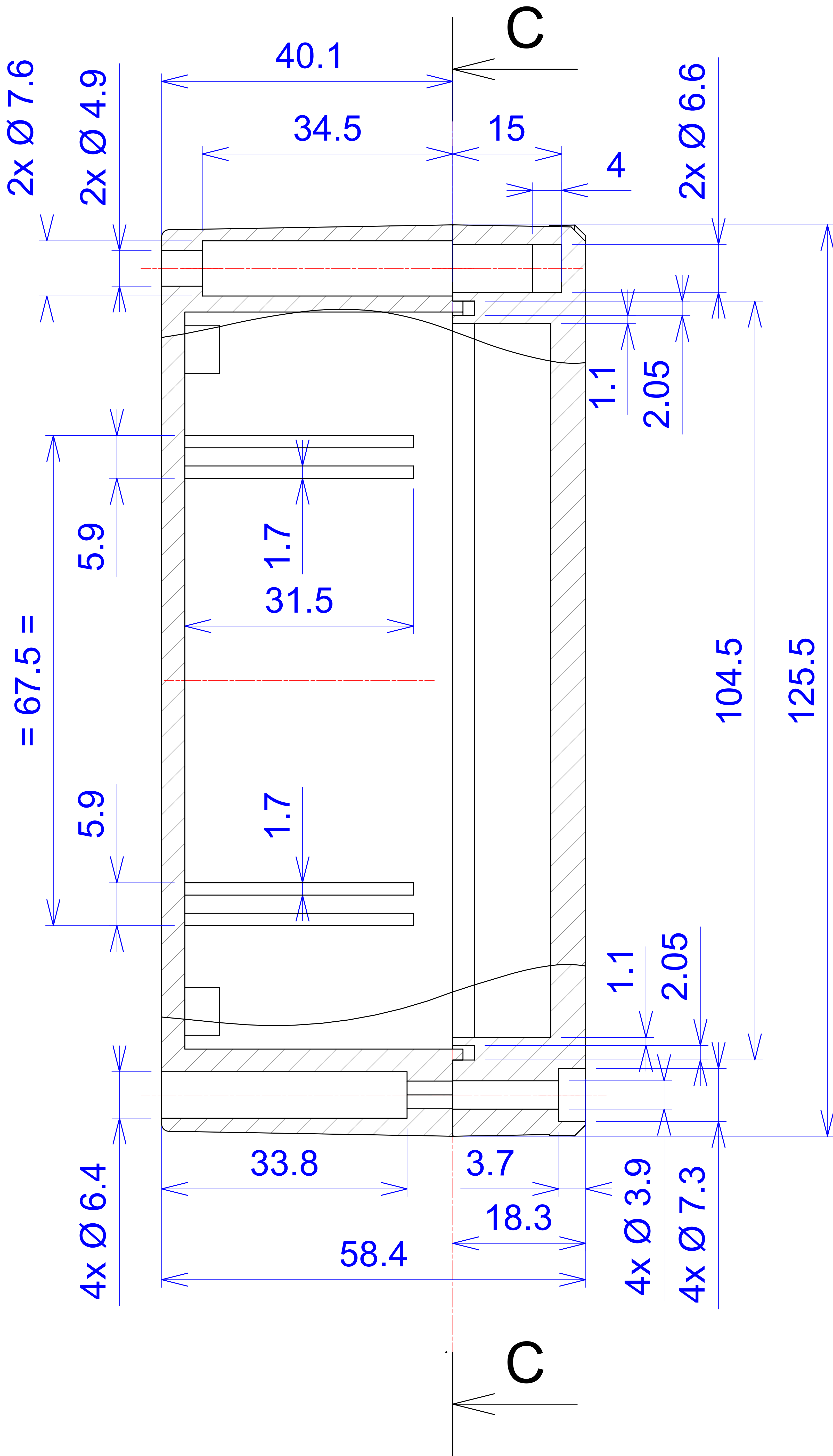




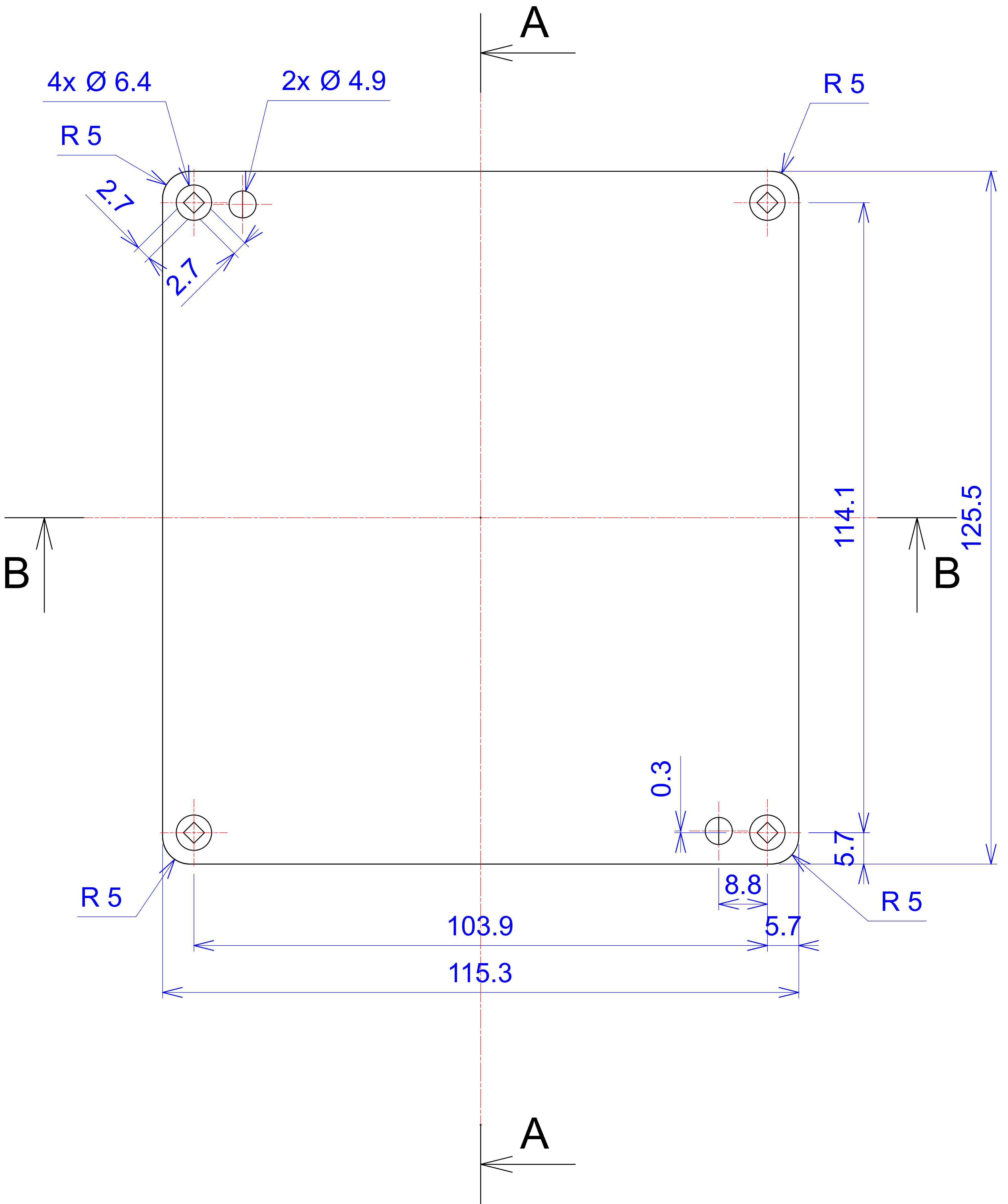


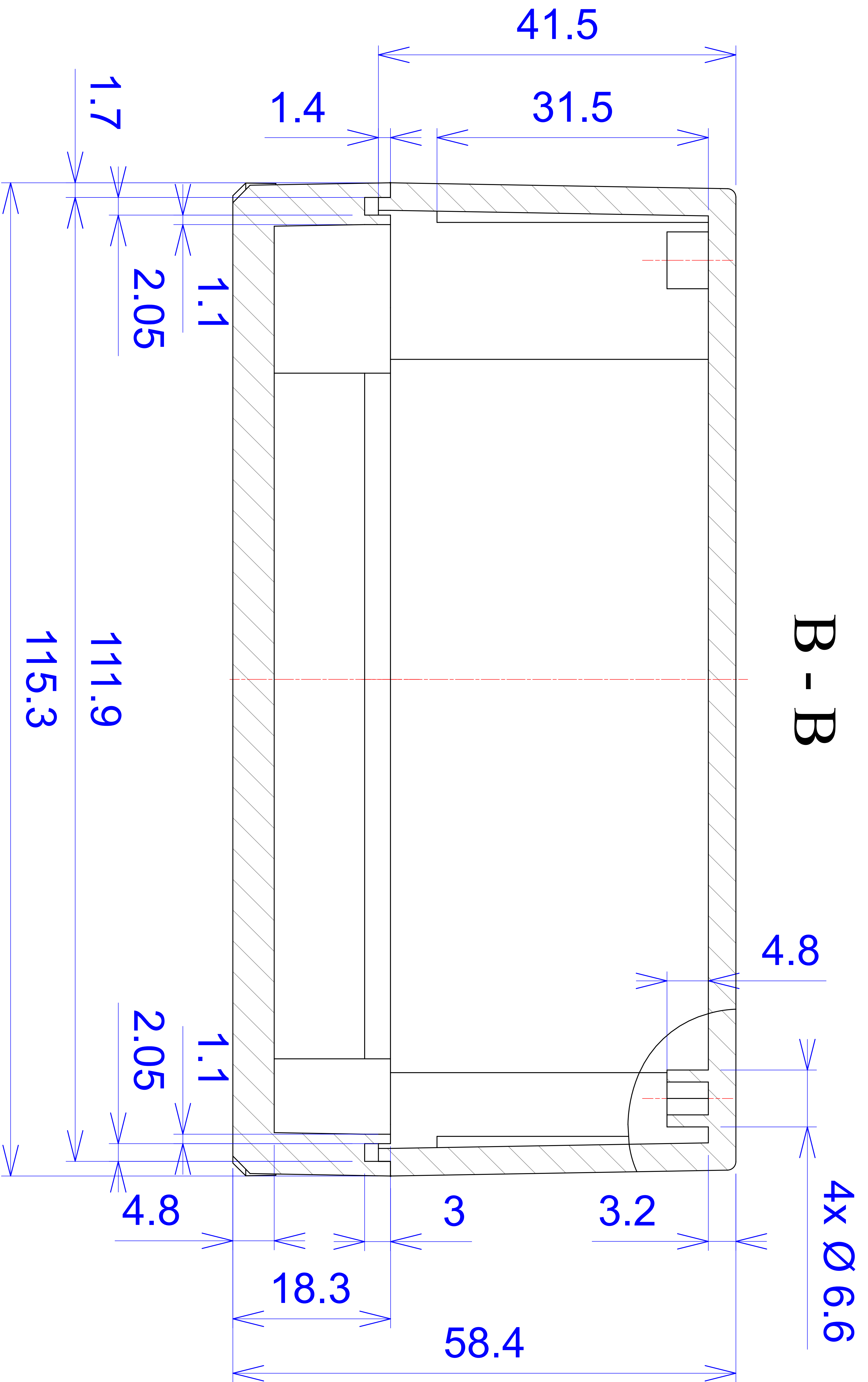


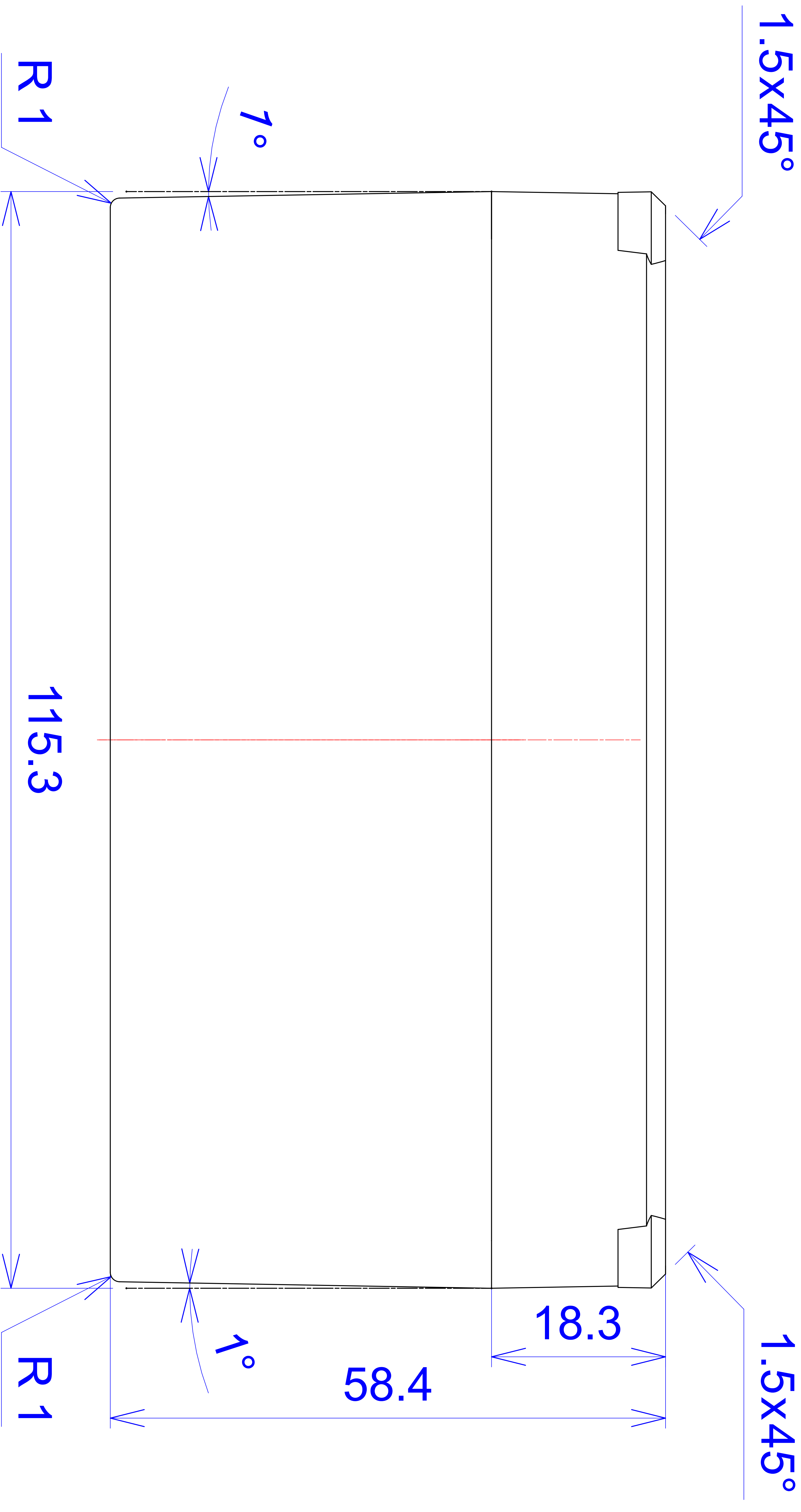
# A - A

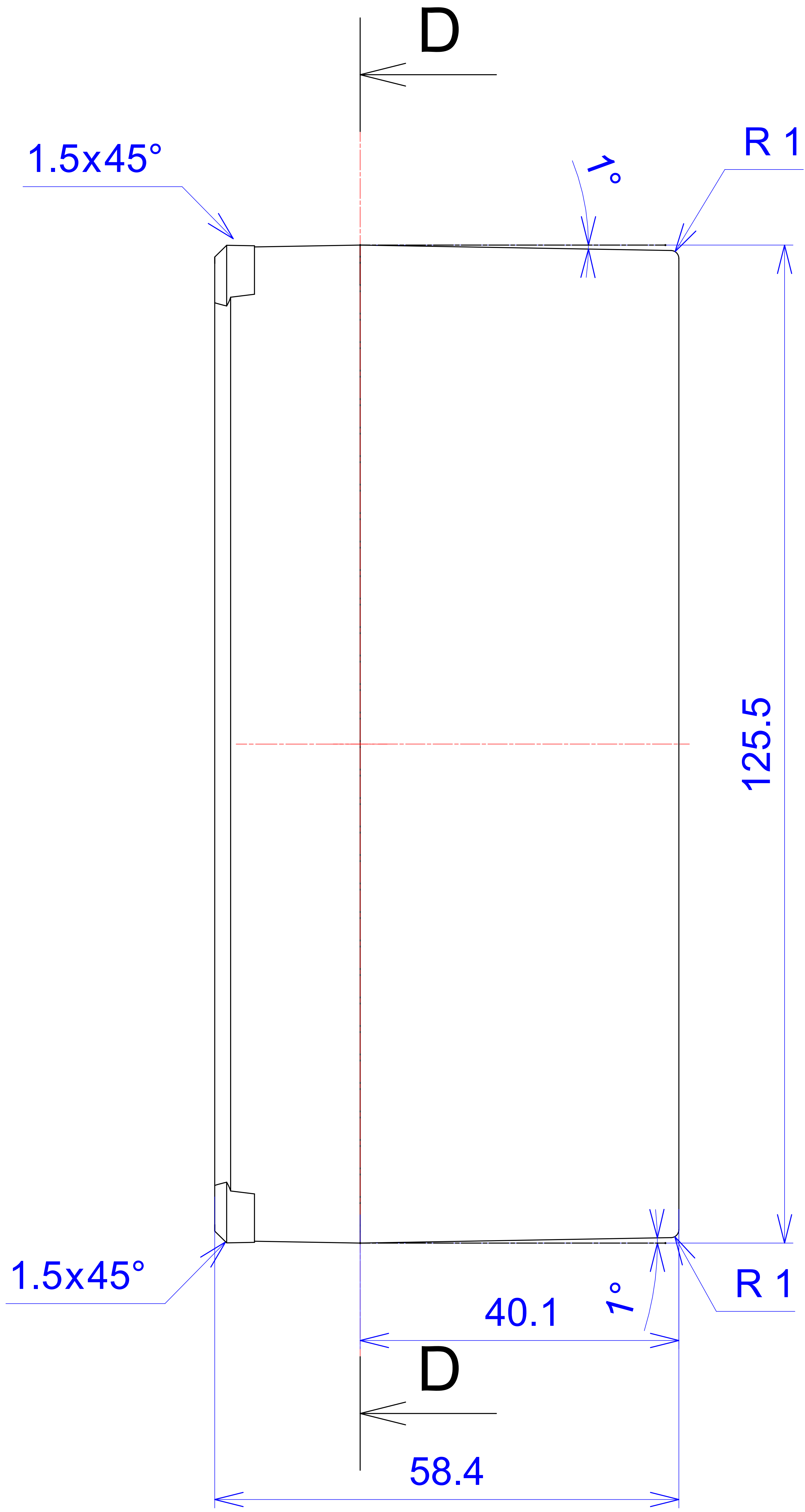












4x Ø 7.3

4x Ø 3.9

2.7

2.7

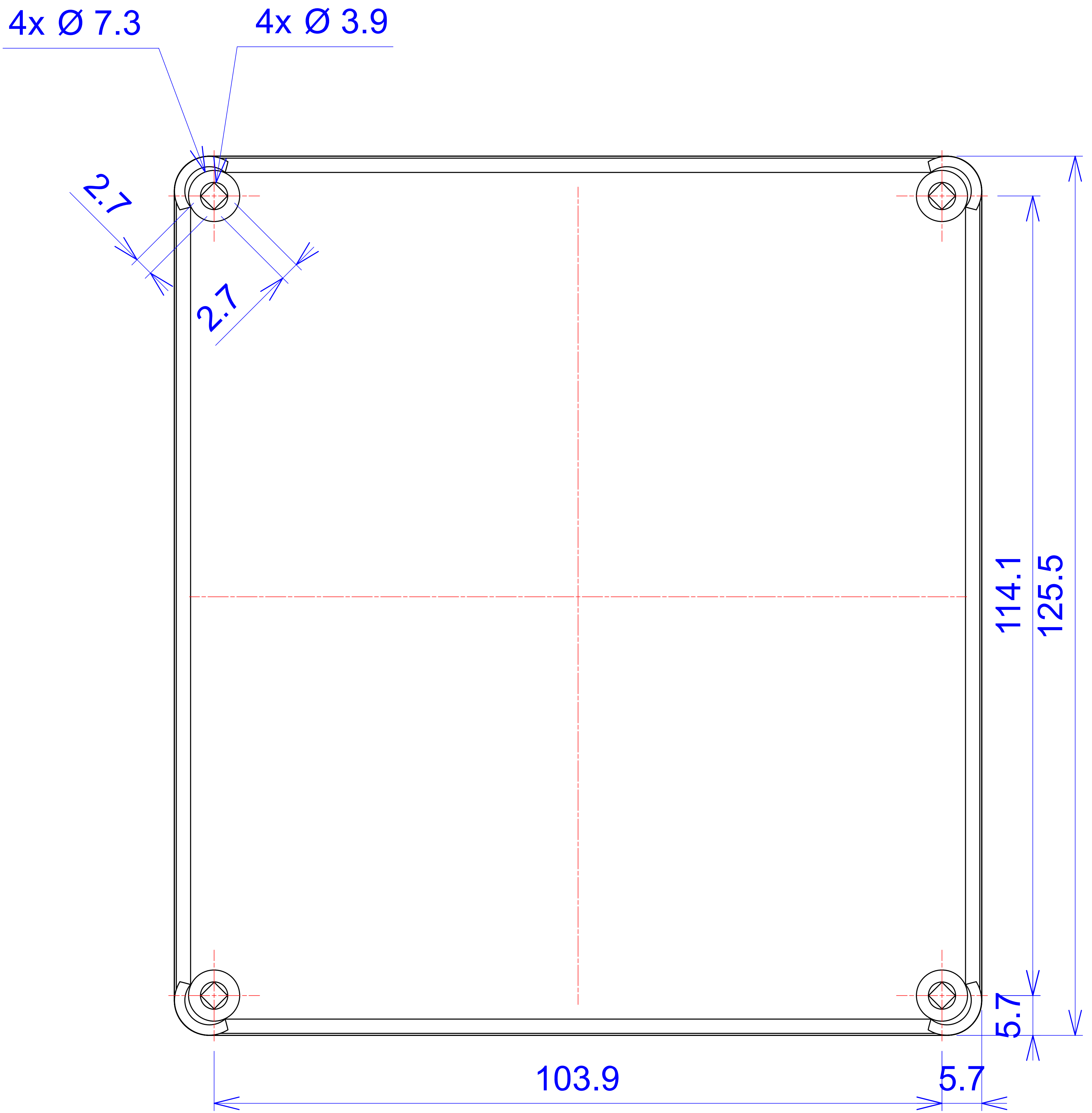
114.1

125.5

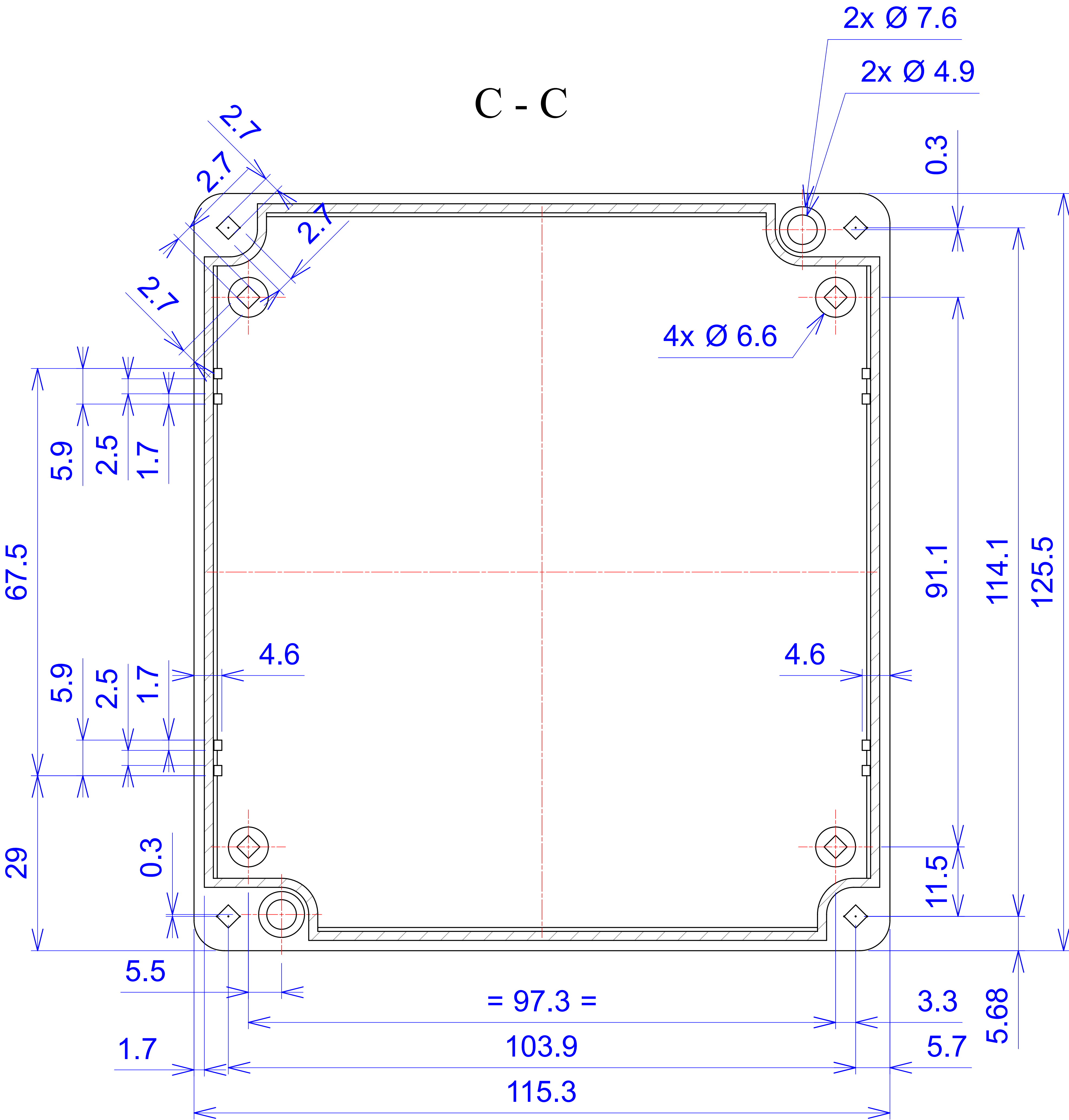
103.9

5.7

5.7



C - C



D - D

